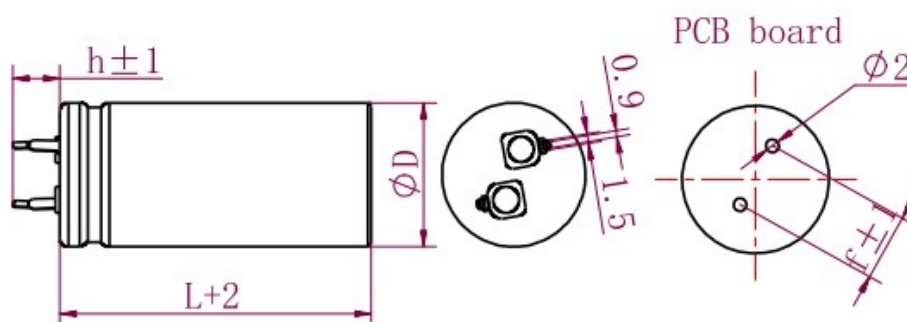


**Features**

High power performance
 Low ESR
 Over 1,000,000 duty cycles
 Snap-in terminal
 RoHS, Reach compliant

**Applications**

EV/HEV
 UPS
 Solar energy conversion system
 Hybrid drive trains
 Electric tool & glare flashlight

**Dimension**

Dimension(mm)						
GT Part Number	Capacitance	Voltage	D	L	h	f
GTSP-3R0-107UN	100F	3.0V	22	45	6	10
GTSP-3R0-127ZN	120F	3.0V	22	45	6	10
GTSP-3R0-157UN	150F	3.0V	25	52	6	10
GTSP-3R0-207UN	200F	3.0V	35	62	6	10
GTSP-3R0-227ZN	220F	3.0V	35	62	6	10
GTSP-3R0-307ZN	300F	3.0V	35	62	6	10
GTSP-3R0-407UN	400F	3.0V	35	62	6	10

Specifications

GT Part Number	Maximum ESR (mΩ)		Max. Continuous Current (A)	Max. Peak Current (A)	Leakage Current (mA) @ 25°C after 72 Hours	Max. Energy Stored (Wh)	Max. Energy Density (Wh/Kg)	Weight (g)
	AC @ 1kHz	DC						
GTSP-3R0-107UN	11	15	15	54	0.2	0.11	4.85	22
GTSP-3R0-127ZN	11	15	16	58	0.3	0.13	5.81	22
GTSP-3R0-157UN	10	14	17	65	0.3	0.16	5.1	32
GTSP-3R0-207UN	10	15	18	70	0.5	0.22	4.2	52
GTSP-3R0-227ZN	11	15	21	75	0.5	0.24	5.2	53
GTSP-3R0-307ZN	9	10	23	80	0.6	0.33	5.1	64
GTSP-3R0-407UN	12	15	25	80	0.7	0.43	6.5	66



Working Voltage	3.0 VDC
Surge Voltage	3.1 VDC
Capacitance Tolerance	-10% to +20% (25°C)
Operating Temperature Range	-40°C to 65°C, ΔC<20%, ΔESR<50% of initial measured value@ 25°C
Storage Temperature Range	-40°C to 70°C
Life (1500hrs @ 85°C @ 3.0V DC)	ΔC<30% of initial measured value, ΔESR<200% of specified value
storage(2 years @ 70°C,without loading)	ΔC<30% of initial measured value, ΔESR<200% of specified value

GT Part Number:

<u>GT</u>	<u>S</u>	<u>□</u>		<u>□ □ □</u>		<u>□ □ □</u>		<u>□</u>		<u>□</u>		<u>□</u>
Brand	Super	Series		Rated Voltage		Capacitance		Tolerance		Terminal Type		Status
GTCAP	capacitor	Code	Series	Code	Voltage	Code	Value(F)	Code	Tolerance	Code	Terminal	Code
		P	Power	2R5	2.5V	104	0.1	J	±5%	H	Horizontal	S=Standard
		E	Energy	2R7	2.7V	224	0.22	K	±10%	V	Vertical	C=Customized
		M	Module	3R0	3.0V	474	0.47	M	±20%	C	Coin	
		PP	Big Power	5R0	5.0V	105	1.0	U	-10%~20%	R	Radial	
		PH	Hi-Temp P	5R5	5.5V	205	2.0	V	10%~30%	T	Thread	
		EH	Hi-Temp E	7R5	7.5V	475	4.7	Z	-20%~80%	N	Snap in	
		MH	Hi-temp M	012	12V	106	10			W	Weldable	
		ML	Military	016	16V	206	20			P	Pillar	
				024	24V	506	50			S	Screw in	
				036	36V	107	100			L	Wire	
				048	48V	367	360					
				056	56V	407	400					
				075	75V	657	650					
				100	100V	158	1500					
				120	120V	308	3000					
				240	240V	508	5000					
						728	7200					